

# ONKYO SERVICE MANUAL

## SUPER SERVO STEREO PREAMPLIFIER

### MODEL P-3030



UDN, UD	120V AC, 60Hz
UGV, UG	220V AC, 50Hz
UW	120V/220V AC, 50/60Hz

#### SAFETY-RELATED COMPONENT WARNING!!

COMPONENTS IDENTIFIED BY MARK  $\triangle$  ON THE SCHEMATIC DIAGRAM AND IN THE PARTS LIST ARE CRITICAL FOR RISK OF FIRE AND ELECTRIC SHOCK. REPLACE THESE COMPONENTS WITH ONKYO PARTS WHOSE PARTS NUMBERS APPEAR AS SHOWN IN THIS MANUAL.

MAKE LEAKAGE-CURRENT OR RESISTANCE MEASUREMENTS TO DETERMINE THAT EXPOSED PARTS ARE ACCEPTABLY INSULATED FROM THE SUPPLY CIRCUIT BEFORE RETURNING THE APPLIANCE TO THE CUSTOMER.

#### TABLE OF CONTENTS

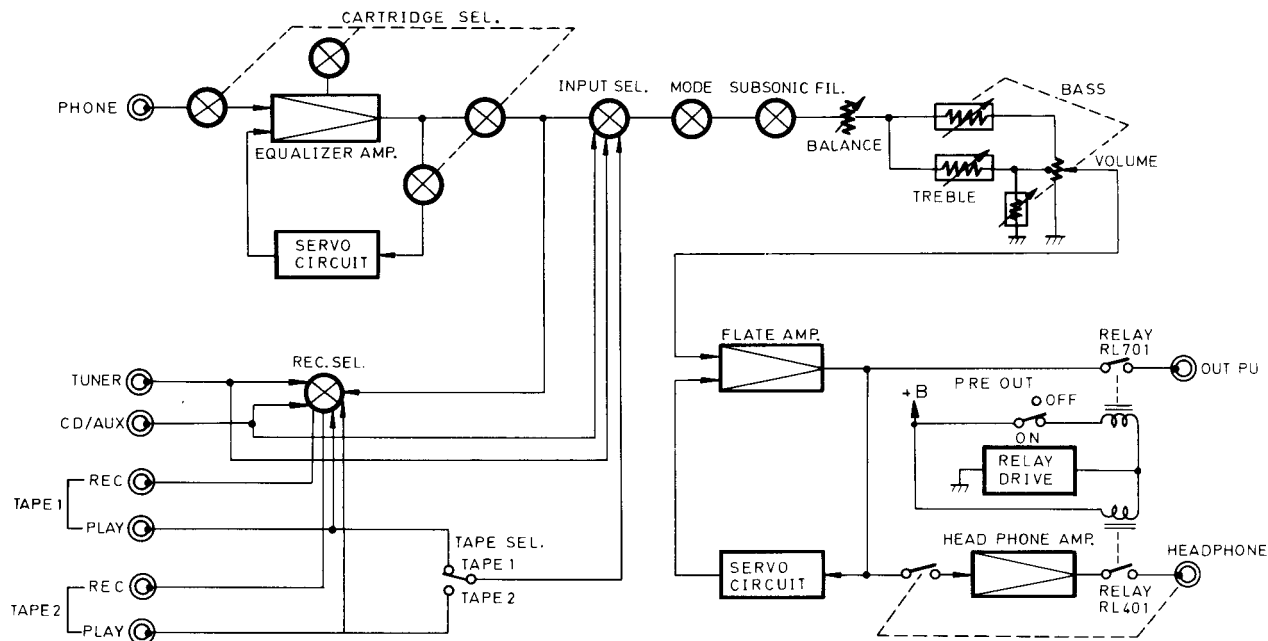
Item	Page
Specifications	2
Block diagram	2
Adjustment procedures	4
Precautions	4
Front panel	5
System connections	5
Exploded view	6
Parts list	7
Printed circuit board parts list	8
Schematic diagram	11, 15, 19
Printed circuit board view	13, 17
Packing procedures	21

**ONKYO**<sup>®</sup>  
**AUDIO COMPONENTS**

# SPECIFICATIONS

<p><b>Input Sensitivity and Impedance:</b></p> <p>PHONO MC: 150 <math>\mu</math>V/(100/220<math>\Omega</math>) 78 EQ: 2.5 mV (47 k<math>\Omega</math>)</p> <p>PHONO MM: 2.5 mV/(47 k<math>\Omega</math>/100 k<math>\Omega</math>)</p> <p>TUNER: 150 mV/47 k<math>\Omega</math></p> <p>TAPE PLAY: 150 mV/47 k<math>\Omega</math></p> <p>CD/AUX: 150 mV/47 k<math>\Omega</math></p> <p><b>Rated Output and Impedance:</b></p> <p>TAPE REC: 150 mV/2.2 k<math>\Omega</math> (PHONO)</p> <p>OUTPUT: 1.0 V/220<math>\Omega</math> Max. 13 V</p> <p><b>RIAA Deviation:</b> <math>\pm</math>0.2 dB, 20 – 20,000 Hz</p> <p><b>Frequency Response (TUNER):</b> +0, -3 dB, 0.8 Hz – 170 kHz</p> <p><b>Phono Overload:</b></p> <p>PHONO MM: 300 mV RMS at 1 kHz, THD. 0.01% 1400 mV RMS at 10 kHz, THD. 0.01%</p> <p>PHONO MC: 17 mV RMS at 1 kHz, THD. 0.01% 82 mV RMS at 10 kHz, THD. 0.01%</p> <p><b>Total Harmonic Distortion:</b></p> <p>0.004% at PHONO MM, 3 V output 0.006% at PHONO MC, 3 V output 0.006% at PHONO 78 EQ, 3 V output 0.003% at TUNER, CD/AUX, TAPE, 3 V output</p> <p><b>Intermodulation Distortion:</b> 0.003% (70 Hz: 7 kHz = 4:1)</p> <p><b>Signal to Noise Ratio:</b></p> <p>PHONO MC: 76 dB (IHF A-202)</p> <p>PHONO MM: 82 dB (IHF A-202)</p> <p>TUNER: 93 dB (IHF A-202)</p>	<p><b>Tone Control:</b></p> <p>BASS: <math>\pm</math>8 dB at 70 Hz</p> <p>TREBLE: <math>\pm</math>8 dB at 20 kHz</p> <p><b>Filters:</b></p> <p>HIGH CUT: 6 dB/oct. 6 kHz (Vol. min.)</p> <p>SUBSONIC: 6 dB/oct. 15 Hz</p> <p><b>Rated Output Voltage:</b> 1.0 V/220 <math>\Omega</math></p> <p><b>Power Supply:</b> European model AC 220 V, 50 Hz U.S.A. &amp; Canadian model AC 120 V, 60 Hz Universal model AC 120/220 V, 50/60 Hz</p> <p><b>Inputs:</b></p> <p>PHONO TUNER TAPEPLAY 1 &amp; 2 CD/AUX</p> <p><b>Outputs:</b></p> <p>TAPE REC OUT 1 &amp; 2 OUTPUT HEADPHONES AC OUTLET (SWITCHED x 2, UNSWITCHED x 1) (U.S. &amp; Canadian models)</p> <p><b>Semiconductors:</b> 46 Transistors, 35 Diodes, 6 FETs, 5 ICs</p> <p><b>Dimensions:</b> 450(W) x 99(H) x 403(D) mm (17-3/4" x 3-15/16" x 15-3/4")</p> <p><b>Weight:</b> 7.0 kg. (15.4 lbs.)</p> <p>Specifications and features are subject to change without notice.</p>
---	---

# BLOCK DIAGRAM



# ADJUSTMENT PROCEDURES

## 1. Preparations

- a) Place the unit with the feet pointing downward so that it is parallel with the bench. The bottom ventilation openings should not be directly against the surface of the bench.
- b) The unit should not be under any load or signal.
- c) During adjustment, the unit and other instrument should not be exposed to any wind since this could cause readings to be unstable.
- d) Control knob positions
  - INPUT SEL . . . . . AUX
  - CART SEL . . . . . MM (47kΩ)
  - REC SEL . . . . . PHONO
  - VOLUME . . . . . MIN

## 2. Instrument

High sensitivity DC voltmeter.

## 3. Equalizer amp. center voltage adjustment

- a) Adjust R191(R192) so that the DC voltage of the REC terminal is  $0 \pm 200\mu V$ .
- b) Switch the CART SET to MC (10-40) and confirm that the DC voltage is  $0 \pm 2mV$ .

# PRECAUTIONS

## 1. Replacing the fuses

For continued protection against risk fire, replace only with same type and same rating fuse.

CIRCUIT NO.	PARTS NO.	DESCRIPTION
F1	252088	0.25A-SE-EAWK, Primary fuse, 120V/220V model
F901	252095	0.5A (ST-6), Primary fuse, 120V model
F901	252088	0.25A-SE-EAWK, Primary fuse, 220V model
F901	252023	0.5A-T, Primary fuse, 120V/220V model
F902-F905	252063	0.5A-SE-EAWK, Secondary fuse, 220V model

## 2. Replacing the lamps

This unit uses the lamps listed below.

CIRCUIT NO.	PARTS NO.	DESCRIPTION
PL704, PL705	210156	PL14V0.06AW-1.5, Rec. selector indicator
PL706-PL709	210110	PL14V0.06AW-1, Input selector indicator
PL701	210084	PL14V0.06AW-1.5, Power indicator
PL702	210138	PL14V0.08AW-1.5, Servo indicator
PL703	210156	PL14V0.06AW-1.5, Preout indicator

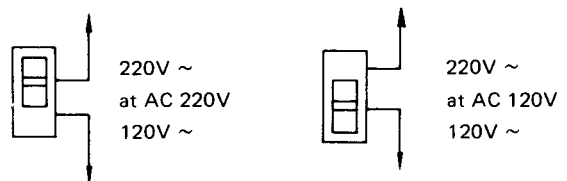
## 3. Insulation resistance measurement

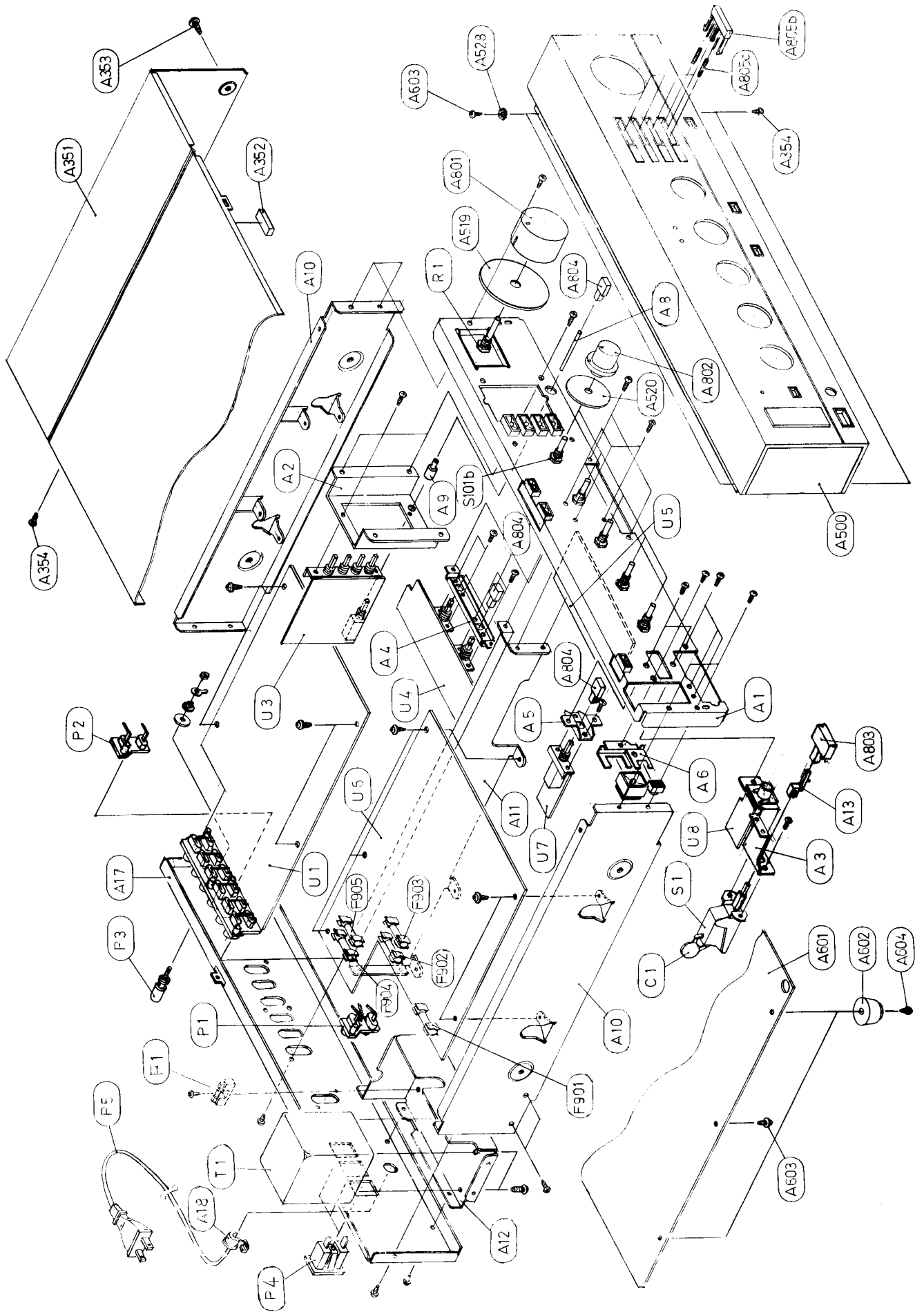
Connect the insulating-resistance tester between the plug of power supply cable and the terminal GND on the back panel.

Specification; 500V, more than 10mΩ

## 4. Voltage Selector (Back panel)

Worldwide models are equipped with a voltage selector to conform with local power supplies. Be sure to set this switch to match the voltage of the power supply in your area before turning the power switch on. Voltage is changed by sliding the groove in the switch with a screwdriver or similar instrument to the up or down position. Confirm that the switch has been moved all the up or down before turning the power switch on. If there is no voltage selector switch on the unit you have purchased, it can only be used in areas where the power supply voltage is the same as that of the unit.





# PARTS LIST

REF. NO.	PARTS NO.	DESCRIPTION	REF. NO.	PARTS NO.	DESCRIPTION	REF. NO.	PARTS NO.	DESCRIPTION
A1	27110201A	Front bracket	L1, L2	230904	B-20L-44, Coil (NAPJ-1730)	U4	12258525	NASW-1725, Mode/Subsonic switch PC board ass'y
A2	27140800	Bracket	△ C1	3500065A	0.01µF, AC400V, Capacitor IS	U5	12258526	NATC-1726, Tone control PC board ass'y
A3	27140801	Bracket	C1a	27300601	Cover, Capacitor	U6	12258527	NA0P-1727, Output amplifier PC board ass'y (D)
A4	27140302	Bracket	R1	5104103	N40DG100KT30M, Variable resistor	U7	12264527A	NA0P-1727a, Output amplifier PC board ass'y (G)
A5	27140803	Bracket	△ S1	25035345	NPS-111-L308p, Power switch (D)	U8	12258528	NASW-1728, Pre out switch PC board ass'y
A6	27140804	Bracket		25035015A	NPS-111-LA3, Power switch (G) (W)	U9	12264530	NAPJ-1730, Phono input terminal PC board ass'y (G)
A8	27260122A	Shaft		25030177	NRSM-105-25ZV, Remote switch operation section			
A9	28320135	Joint, Push	S101b	25065143	Remote switch wire section			
A10	27115144A	Side bracket		25065227	Remote switch wire section			
A11	27130336	Center bracket		25045026	NPJ-2PRBL04, Phono input terminal			
A12	27130337	Bracket (D)		25045063	NPJ-2PRBL30, Input terminal			
A13	27130338	Bracket (G) (W)	P2	TP160B	Ground terminal			
A17	27260093	Shaft, Power switch	S101C	25050046	NSCT-2P15, AC outlet (D)			
	27120514	Back panel (D)	S301C	25065123	NSS-1258P, Slide switch (W)			
	27120515	Back panel (G)	△ P1	253100	AS-UC-4, Power supply cable (D)			
	27120516	Back panel (W)		253083-1	AS-CEE, Power supply cable (G) (W)			
A18	270280	SR-4K-4, Strainrelief		25108010	LG-2C, Terminal, (G) (W)			
A351	28184124-1A	Top cover	△ P6	252088	0.25A-SE-EAWK, Primary fuse (W)			
A352	28140020	4 x 10 x 40mm, Cushion		252095	0.5A(ST-6), Primary fuse (D)			
A353	838440089	4TTB + 8C(BC), Tapping screw	△ F1	252088	0.25A-SE-EAWK, Primary fuse (G)			
A354	834430068	3TTS + 6B(BC), Tapping screw		252023	0.5A-T, Primary fuse (W)			
A500	12258121	Front panel ass'y	△ F901	252063	0.5A-SE-EAWK, Secondary fuse (G)			
A519	28140126	Cushion		25065096	NPF-073, Fuse holder (W)			
A520	28140185	Cushion	F1a	12258522	NAEQ-1722, Equalizer amplifier PC board ass'y			
A528	87313006	M3B, Toothed washer	U1	12258523	NASW-1723, Rec. lamp PC board ass'y			
A601	27170159	Bottom board	U2	12258524	NASW-1724, Input selector switch PC board ass'y			
A602	27175009A	Bottom, leg						
A603	831430088	3TTW + 8B(BC), Tapping screw						
A604	834430108	3TTS + 10B(BC), Tapping screw						
A801	28320649	Knob, Volume						
A802	28320652	Knob, Balance						
A803	28320646	Knob, Power						
A804	28320645A	Knob, Push						
A805b	28321204	Knob, Selector						
A805c	27180183	Spring						
T1	230662	NPT-7540, Power transformer (D)						
	230663	NPT-754G, Power transformer (G)						
	230699	NPT-754DG, Power transformer (W)						

NOTE  
(D): Only 120V model  
(G): Only 220V model  
(W): Only 120V/220V model

The components identified by mark △ are critical for risk of fire and electric shock. Replace only with parts number specified.

# PRINTED CIRCUIT BOARD PARTS LIST

## EQUALIZER AMPLIFIER PC BOARD (NAEQ-1722) PARTS LIST

CIRCUIT NO.	PARTS NO.	DESCRIPTION
<b>Transistors &amp; FETs</b>		
Q101, Q102 Q103, Q104 Q105, Q106 Q107, Q108 Q123, Q124 Q125, Q126 Q109, Q110 Q121, Q122 Q111, Q112 Q113, Q114 Q115, Q116	2211530  2211895  2211516 or 2211515 2211792 or 2211793 2211732 or 2211733 2211654 or 2211653 2211644 or 2211643 2211255 or 2211254 2211455 or 2211454	2SK146, FET  2SC1815 (L) GR  2SA995(G) or 2SA995(F) 2SA992(F) or 2SA992(E) 2SC1845(F) or 2SC1845(E) 2SC2235(Y) or 2SC2235(O) 2SA965(Y) or 2SA965(O) 2SC1815(GR) or 2SC1815(Y) 2SA1015(GR) or 2SA1015(Y)
Q117	2211654 or 2211653	2SC2235(Y) or 2SC2235(O)
Q119, Q120	2211644 or 2211643	2SA965(Y) or 2SA965(O)
Q907	2211255 or 2211254	2SC1815(GR) or 2SC1815(Y)
Q908	2211455 or 2211454	2SA1015(GR) or 2SA1015(Y)
<b>ICs</b>		
Q127, Q128	222502	NJM4558DX
<b>Diodes</b>		
D101-D116 D905, D906	223145 2241232	1S2076TD GZA-22Y
<b>Capacitors</b>		
C101-C104 C135, C136 C107, C108 C111, C112 C115, C116 C119, C120 C121, C122 C123-C126 C129, C130 C137, C138 C139, C140 C141-C144 C145, C146 C911, C912 C913-C916 C917	379121035  372122214 379124737 379122225 379121134 379121234 379123334 35271019 379121057 379121525 352754709 3500075 352782209 352780109 379134747	0.01 $\mu$ F, 50V, DEW  220pF, 50V, ST 0.047 $\mu$ F, 50V, DEW 2200pF, 50V, DEW 0.011 $\mu$ F, 50V, DEW 0.012 $\mu$ F, 50V, DEW 0.033 $\mu$ F, 50V, DEW 100 $\mu$ F, 6.3V, Elect. 1 $\mu$ F, 50V, DEW 1500pF, 50V, DEW 47 $\mu$ F, 25V, Elect. 1.5 $\mu$ F, 50V, SH 22 $\mu$ F, 50V, Elect. 1 $\mu$ F, 50V, Elect. 0.47 $\mu$ F, 100V, DEW
<b>Resistors</b>		
R127, R128 R153, R154 R919, R912	441721824 442523304 5225070	1.8k $\Omega$ , 2W, Metal oxide film 33 $\Omega$ , 1/2W, Metal oxide film N10HR2. 2KBM, Semi fixed
<b>Switches</b>		
S101e S301a	25065101 25065079	NSS-10652, CART. SEL. NSS-4643, REC. SEL.
<b>etc.</b>		
	25060031B 27300152 25045041	P-2, Plate Case NPJ-6PDBL18, Terminal

## REC. LAMP PC BOARD (NASW-1723) PARTS LIST

CIRCUIT NO.	PARTS NO.	DESCRIPTION
PL704, PL705 R713, R715 R714 S301b	210156 442527504 442522514 25030235	PL14V0.06AW-1.5, Lamp 75 $\Omega$ , 1/2W, Metal oxide film 250 $\Omega$ , 1/2W, Metal oxide film NRSM-146-25ZV, Switch

## INPUT SELECTOR SWITCH PC BOARD (NASW-1724) PARTS LIST

CIRCUIT NO.	PARTS NO.	DESCRIPTION
PL706-PL709 S302	210110 25035392	PL14V0.06AW-1, Lamp NPS-442-L356, Input selector switch
S303	25035391	NPS-122-L355, Tape selector switch

## MODE/SUBSONIC SWITCH PC BOARD (NASW-1725) PARTS LIST

CIRCUIT NO.	PARTS NO.	DESCRIPTION
C301, C302 S304, S305	379122245 25035266	0.22 $\mu$ F, 50V, Capacitors, DEW NPS-122-L230, Switches

## TONE CONTROL PC BOARD (NATC-1726) PARTS LIST

CIRCUIT NO.	PARTS NO.	DESCRIPTION
<b>Capacitors</b>		
C303, C304 C305, C306 C307, C308 C309, C310	379121235 379125625 379121025 379123335	0.012 $\mu$ F, 50V, DEW 5600pF, 50V, DEW 0.001 $\mu$ F, 50V, DEW 0.033 $\mu$ F, 50V, DEW
<b>Resistors</b>		
R307 R317 R319	5148090 5148091 5148092	N16RGMC250KMN25M, Volume control variable N16RGM11C219K25M, Treble control variable N16RGM11C110K180K25M, Bass control variable

## OUTPUT AMPLIFIER PC BOARD (NAOP-1727) PARTS LIST

CIRCUIT NO.	PARTS NO.	DESCRIPTION
<b>Transistors &amp; FETs</b>		
Q501, Q502 Q503-Q506 Q513, Q514 Q701 Q507, Q508 Q509, Q510 Q511, Q512 Q702 Q901 Q902 Q903, Q905 Q904, Q906 Q909 Q910	221916 or 2211915 2211255  2211140 2211445 or 2211446 2211455 2211771 or 2211772 2200744 2200413 2211255 or 2211254 2211455 or 2211454 2211654 or 2211653 2211644 or 2211643	2SK240(BL) or 2SK240(GR), FET 2SC1815(GR)  2SA798(0-001) 2SC2291(F) or 2SC2291(G) 2SA1015(GR) 2SC2001(K) or 2SC2001(L) 2SD526(Y) 2SB596(Y) 2SC1815(GR) or 2SC1815(Y) 2SA1015(GR) or 2SA1015(Y) 2SC2235(Y) or 2SC2235(O) 2SA965(Y) or 2SA965(O)
<b>ICs</b>		
Q515, Q516 Q401	222585 222543	NJM4558DXB LA4170
<b>Diodes</b>		
D501-D504 D402, D703 D401, D701 D702	223145  223848	1S2076TD  GP-08B

CIRCUIT NO.	PARTS NO.	DESCRIPTION
D901, D902	223804	SR1K-2
D903, D904	2240973	GZA6. 2Z
D907, D908	2241232	GZA22Y
D909, D910	223867	WL-02
	<b>Lamps</b>	
PL701	210084	PL14V0. 06AW-1.5
PL702	210138	PL14V0. 08AW-1.5
	<b>Capacitors</b>	
C501, C502	372126805	680pF, 50V, ST
C505, C506	379121035	0.01 $\mu$ F, 50V, DEW
C511, C512	379121037	0.01 $\mu$ F, 50V, DEW
C517, C518	372121014	100pF, 50V, ST
C519-C522	352752209	22 $\mu$ F, 25V, Elect.
C523, C524	379121047	0.1 $\mu$ F, 50V, DEW
C401, C402	352750479	4.7 $\mu$ F, 25V, Elect.
C403, C404	352741009	10 $\mu$ F, 16V, Elect.
C405	352743309	33 $\mu$ F, 16V, Elect.
C406	352741029	1000 $\mu$ F, 16V, Elect.
C407, C408	352731019	100 $\mu$ F, 10V, Elect.
C905, C906		
C409, C410	379124737	0.047 $\mu$ F, 50V, DEW
C922		
C701	352751029	1000 $\mu$ F, 25V, Elect.
C702, C704	352744719	470 $\mu$ F, 16V, Elect.
C703, C919	352751019	100 $\mu$ F, 25V, Elect.
C920		
C705	352744709	47 $\mu$ F, 16V, Elect.
C901, C902	3504182	2200 $\mu$ F, 50V, Elect.
C903, C904	352782219	220 $\mu$ F, 50V, Elect.
C909, C910	352781019	100 $\mu$ F, 50V, Elect.
C917, C918	352780109	1 $\mu$ F, 50V, Elect.
C921, C923	379122245	0.22 $\mu$ F, 50V, DEW
	<b>Resistors</b>	
R535-R538	442521014	100 $\Omega$ , 1/2W, Metal oxide film
R710		
R539, R540	441622214	220 $\Omega$ , 1W, Metal oxide film
R405, R406	441523904	39 $\Omega$ , 1/2W, Metal oxide film
R409, R711	441521004	10 $\Omega$ , 1/2W, Metal oxide film
R701	441624714	470 $\Omega$ , 1W, Metal oxide film
R913, R914	441521214	120 $\Omega$ , 1/2W, Metal oxide film
	<b>Relays</b>	
RL401, RL701	25065139	NRL-2P0. 3ADC12-05
	<b>Fuseholders</b>	
F901a	250113	S-N5051
	<b>etc.</b>	
	25060031B	Plate
	29360430	0.5A/125V, Label
	27160048A	RAD-05B, Radiator
	25050140	NJPS-3P-S, Socket
	27140804	Bracket, lamp

#### OUTPUT AMPLIFIER PC BOARD (NAOP-1727a) PARTS LIST

CIRCUIT NO.	PARTS NO.	DESCRIPTION
	<b>Transistors &amp; FETs</b>	
Q501, Q502	2211916 or 2211915	2SK240(BL) or 2SK240(GR)
Q503-Q506	2211255	2SC1815(GR)
Q513, Q514		
Q701		
Q507, Q508	2211140	2SA798(0-001)
Q509, Q510	2211445 or 2211446	2SC2291(F) or 2SC2291(G)

CIRCUIT NO.	PARTS NO.	DESCRIPTION
Q511, Q512	2211455	2SA1015(GR)
Q702	2211771 or 2211772	2SC2001(K) or 2SC2001(L)
Q901	2200744	2SD526(Y)
Q902	2200413	2SB596(Y)
Q903, Q905	2211255 or 2211254	2SC1815(GR) or 2SC1815(Y)
Q904, Q906	2211455 or 2211454	2SA1015(GR) or 2SA1015(Y)
Q909	2211654 or 2211653	2SC2235(Y) or 2SC2235(O)
Q910	2211644 or 2211643	2SA965(Y) or 2SA965(O)
	<b>ICs</b>	
Q515, Q516	222585	NJM4558DXB
Q401	222543	LA4170
	<b>Diodes</b>	
D501-D504	223145	1S2076TD
D402, D703		
D401, D701	223848	GP-08B
D702		
D901, D902	223804	SR1K-2
D903, D904	2240973	GZA6. 2Z
D907, D908	2241232	GZA22Y
D909, D910	223867	WL-02
	<b>Lamps</b>	
PL701	210084	PL14V0. 06AW-1.5
PL702	210138	PL14V0. 08AW-1.5
	<b>Capacitors</b>	
C501, C502	372126805	680pF, 50V, ST
C505, C506	379121035	0.01 $\mu$ F, 50V, DEW
C511, C512	379121037	0.01 $\mu$ F, 50V, DEW
C517, C518	372121014	100pF, 50V, ST
C519-C522	352752209	22 $\mu$ F, 25V, Elect.
C523, C524	379121047	0.1 $\mu$ F, 50V, DEW
C401, C402	352750479	4.7 $\mu$ F, 25V, Elect.
C403, C404	352741009	10 $\mu$ F, 16V, Elect.
C405	352743309	33 $\mu$ F, 16V, Elect.
C406	352741029	1000 $\mu$ F, 16V, Elect.
C407, C408	352731019	100 $\mu$ F, 10V, Elect.
C905, C906		
C409, C410	379124737	0.047 $\mu$ F, 50V, DEW
C922		
C701	352751029	1000 $\mu$ F, 25V, Elect.
C702, C704	352744719	470 $\mu$ F, 16V, Elect.
C703, C919	352751019	100 $\mu$ F, 25V, Elect.
C920		
C705	352744709	47 $\mu$ F, 16V, Elect.
C901, C902	3504182	2200 $\mu$ F, 50V, Elect.
C903, C904	352782219	220 $\mu$ F, 50V, Elect.
C909, C910	352781019	100 $\mu$ F, 50V, Elect.
C917, C918	352780109	1 $\mu$ F, 50V, Elect.
C921, C923	379122245	0.22 $\mu$ F, 50V, DEW
	<b>Resistors</b>	
R535-R538	442521014	100 $\Omega$ , 1/2W, Metal oxide film
R710		
R539, R540	441622214	220 $\Omega$ , 1W, Metal oxide film
R405, R406	441523904	39 $\Omega$ , 1/2W, Metal oxide film
R409, R711	441521004	10 $\Omega$ , 1/2W, Metal oxide film
R701	441624714	470 $\Omega$ , 1W, Metal oxide film
R913, R914	441521214	120 $\Omega$ , 1/2W, Metal oxide film
	<b>Relays</b>	
RL401, RL701	25065139	NRL-2P0. 3ADC12-05
	<b>Fuseholder</b>	
F901a	25050065	YSH403T

CIRCUIT NO.	PARTS NO.	DESCRIPTION
	<b>etc.</b>	
	25060031B	Plate
	29360430	0.5A/125V, Label
	27160048A	RAD-05B, Radiator
	25050140	NJPS-3P-S, Socket
	27140804	Bracket, lamp

#### PRE OUT SWITCH PC BOARD (NAOP-1728) PARTS LIST

CIRCUIT NO.	PARTS NO.	DESCRIPTION
PL703	210156	PL14V0. 06AW-1.5, Lamp
R712	441527504	75 $\Omega$ , 1/2W. Metal oxide film
S701	25035266	NPS-122-L230, Switch
	27140803	Bracket

#### HEADPHONE JACK PC BOARD (NAHP-1729) PARTS LIST

CIRCUIT NO.	PARTS NO.	DESCRIPTION
	25045130	HLJ4308-01-010, Stereo jack

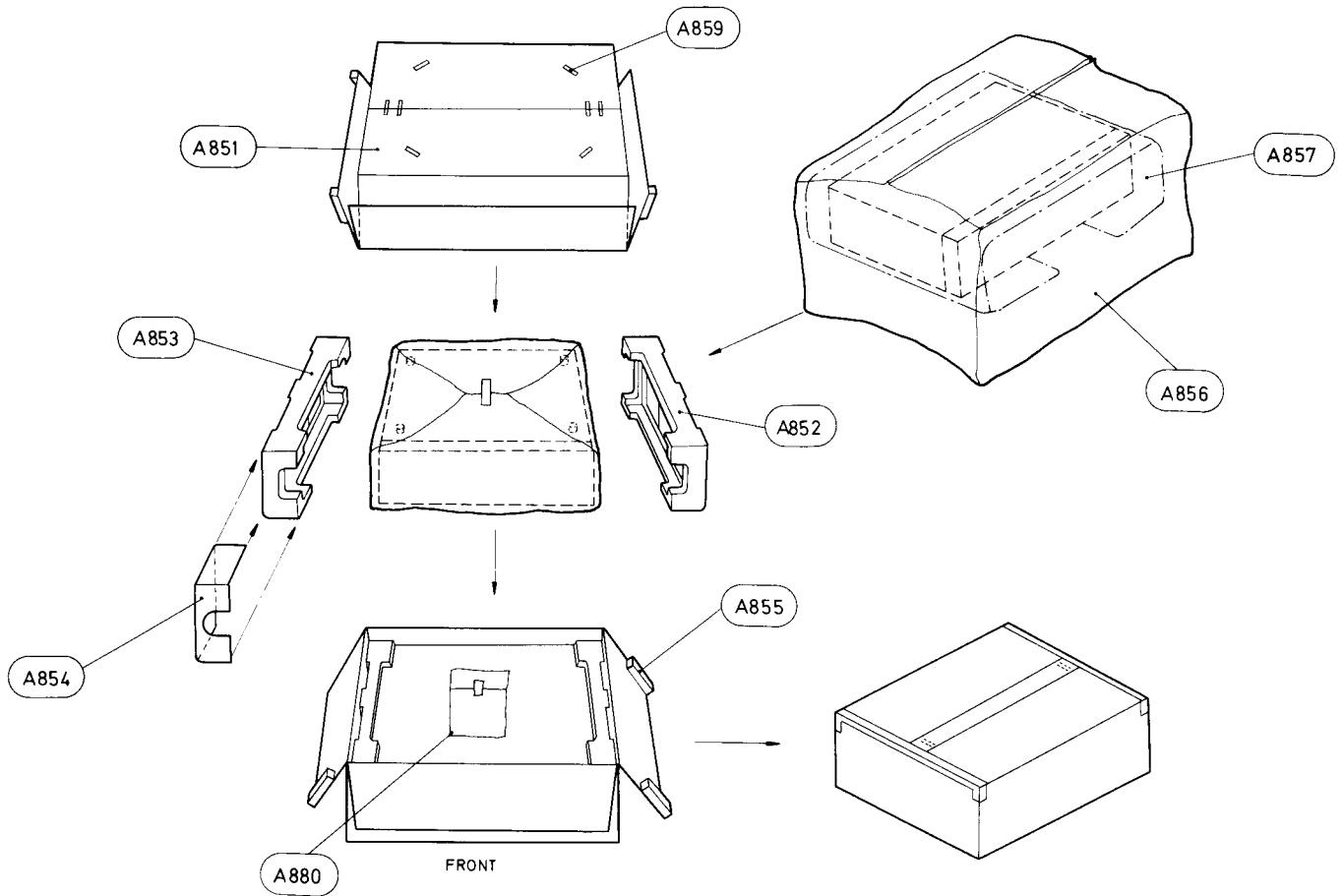
#### PHONO INPUT TERMINAL PC BOARD (NAPJ-1730) PARTS LIST

CIRCUIT NO.	PARTS NO.	DESCRIPTION
L801, L802	231030	NCH-1070, Coil
	25045080	NPJ-2PDBL40, Terminal





# PACKING PROCEDURES



REF. NO.	PARTS NO.	DESCRIPTION
A851	29050786	Master carton box
A852	29090452	Pad L
A853	29090453	Pad R
A854	29090663	Pad
A855	29090659	Pad
A856	29100038A	720 x 950 mm, Poly bag
A857	29095012-1	500 x 800 mm, Protection sheet
A859	282301	Sealing hook

**Accessory bag ass'y**

29340708	Instruction manual (D) (U)
29340709	Instruction manual (G) (V) (W)
29365006-5	Warranty card (U)
29365005-3A	Warranty card (V)
29358002	Service station list (U)
29358004	Service station list (V)
29360657	Caution label (U)
29365010	Label (U)
29355093	Caution sheet (V)
29100006	350 x 250 mm, Poly bag
25055040	CV-K-2, Conversion plug (W)

**NOTE**

- (U): Only U.S.A. model
- (V): Only West Germany model
- (D): Only 120V model
- (G): Only 220V model
- (W): Only 120V/220V model